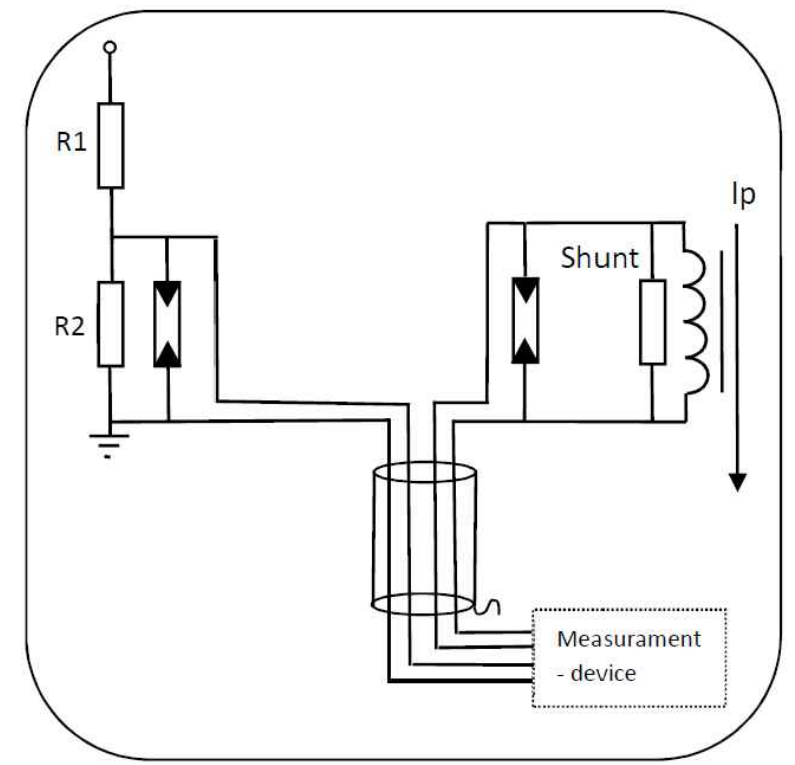
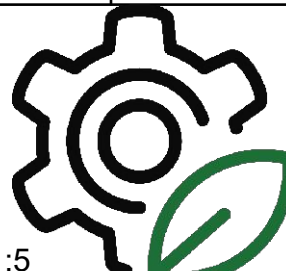


1:5

Function principle:



Standard: IEC 60044-7, IEC 60044-8
 Isolation level: 12/28/75kV 17,5/38/95kV 24/50/125kV
 Rated current : 300A
 Rated voltage: 20kV/V3
 Temperature range: -40/80°C
 Voltage:
 Accuracy class:
 VS 0,2/0,5/1/3 & 3P/6P;
 CS 0,2S/0,2/0,5S/1/3 max P20
 Secondary output:
 VS 3,25/V3 or customerdefined;
 CS 225mV or customer defined
 Burden: VS 200kΩ ±1%; max. 1nF or customer defined; CS >20kΩ
 Ith: 25kA 3sec.
 Bending force: on request

Dept. GWP	Technical reference K240F	Created by W. Bacher 20.09..2018	Approved by N. Juschicz 20.09.2018
 A3 1:5	Document type Drawing	Document status Draft	
	Title Outdoor V&C combined Sensor	DWG No. K240F-xx	
		Rev. 1	Date of issue 20.09.2018